

# TSL.C.050

channel sensor faucet

installation + maintenance

+  
THE  
SPLASH  
LAB

# contents

3	Safety and Warnings
4	Box Contents
5	Technical Data
6	Before You Install
9	How to Install
11	The Complete System
12	Resetting the Sensor
14	Maintenance
14	Cleaning
15	Spare Parts
15	Product Identification
16	Troubleshooting
17	Warranty
Back Cover	Contact Details

# TSL.C.050 channel sensor faucet

**Read and save these instructions**

**WARNING** 

To reduce the risk of fire, electric shock or injury to persons, observe the following:

- + Use this unit only in the manner intended by the manufacturer. If you have questions, contact the manufacturer.
- + This equipment should be installed in a way that ensures all electrical parts are kept dry.
- + A means of electrical isolation must be incorporated in the fixed wiring, in accordance with the current local regulations in force.
- + Disconnect the power supply before performing any maintenance on the product.
- + Children should not play with this equipment. Cleaning and maintenance shall not be performed by children without supervision.
- + This equipment is designed to be used in commercial and public areas; it is not intended for domestic or residential use.
- + Ensure wiring is installed correctly before connecting to live power supply.
- + If in doubt, consult an electrician.
- + Not to be installed above such surfaces as china or chrome drain covers.

## **General information**

(310) 410-5008

Showroom:

8745 Washington Boulevard, Studio D, Culver City CA 90232

Warehouse + Offices:

20809 Higgins Court, Torrance CA 90501

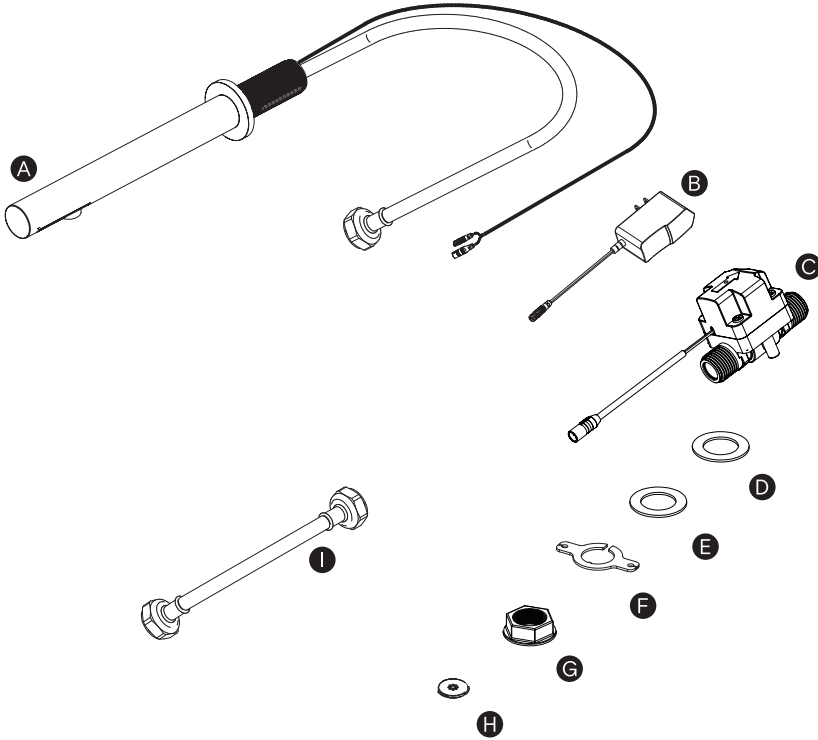
## **Technical support**

[info.usa@thesplashlab.com](mailto:info.usa@thesplashlab.com)

**For further contact information visit:**

[www.thesplashlab.com/usa](http://www.thesplashlab.com/usa)

# box contents

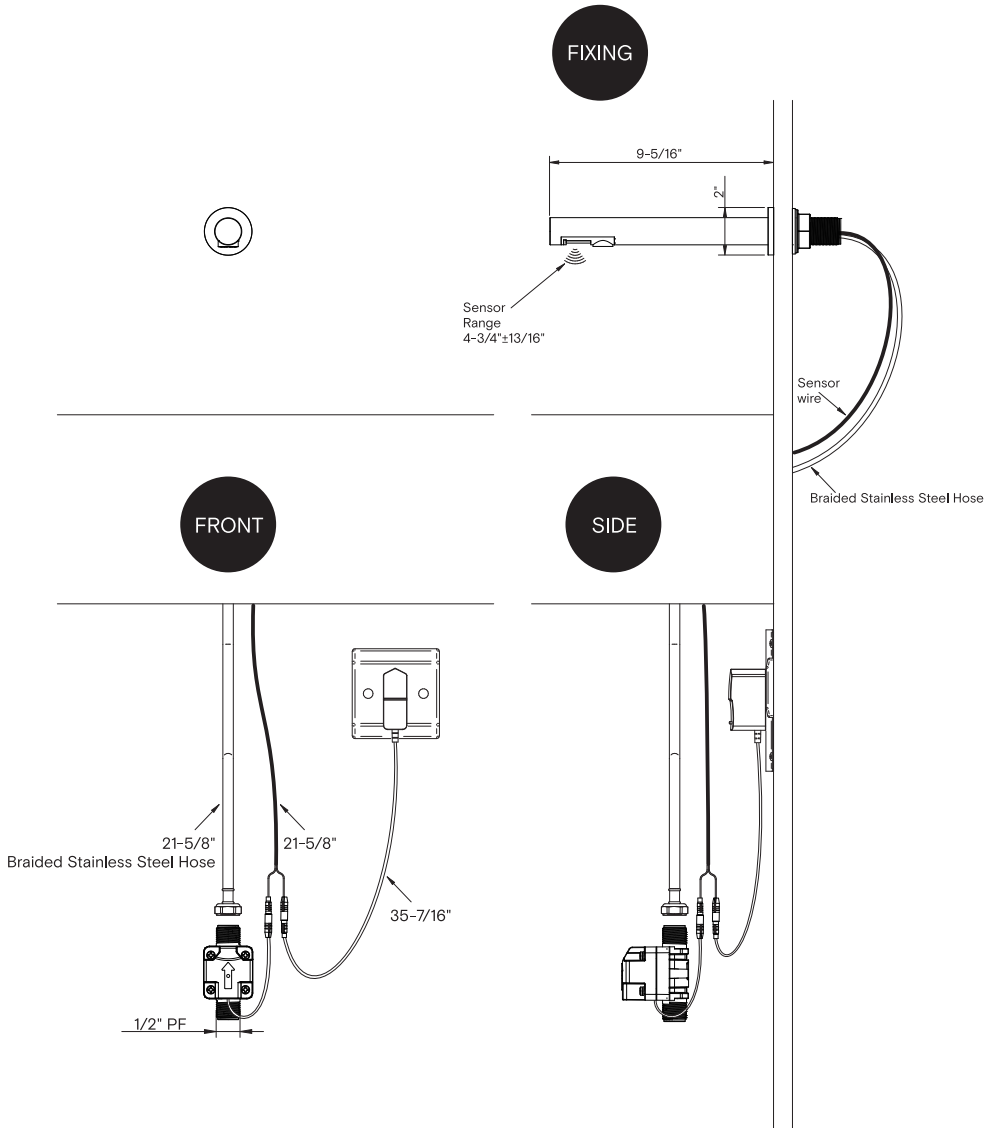


A	Channel sensor faucet head
B	Mains power supply
C	Solenoid valve
D	Pad
E	Gasket
F	Anti - rotation washer
G	Fixing nut
H	Flow restrictor
I	Flex hose - 300mm

# technical data

Finishes	TSL.C.050.C	Bright Polished
	TSL.C.050.CS	Brushed Stainless
	TSL.C.050.CP	Brushed Copper
	TSL.C.050.BK	Brushed Black
	TSL.C.050.BR	Brushed Brass
	TSL.C.050.BZ	Brushed Bronze
Material (body)	AISI316 Stainless steel	
Operating pressure	7 - 87 psi dynamic pressure	
Flow rate	0.5 GPM (Other flow rates available upon request)	
Weight	2lb 3oz	
Power supply - Mains	Input 100-240V ac; 50/60Hz Output 6V DC, 0.5A, 3W max	
Sensor range - Preset	4-3/4"±13/16"	
Sensor range - Minimum	2"	
Sensor range - Maximum	5-15/16"	
Comfort delay	2 seconds	
Security time	60 seconds To flush 20 seconds after 24 hours of no usage	
Approvals	ASME A112.18.1, CSA B125.1, NSF/ANSI/CAN 61, WRAS, RoHS, ADA	
Warranty	One year limited warranty	

# before you install



# before you install

## **Access Requirements**

---

It is critical all components which require fixing behind the wall are easily accessible at all times during installation and routine maintenance.

## **Flow Rates**

---

Different flow rates may need to be achieved. The Splash Lab offers a number of flow regulators which can be used in conjunction with the Channel Faucet. Contact The Splash Lab for more information.

## **Water Temperature**

---

The Channel Faucet does not come equipped with temperature control. Premixed water must therefore be supplied separately.

## **Sinks**

---

Use of a The Splash Lab sink is recommended when used in conjunction with any of the The Splash Lab Channel fixtures.

When using other sinks, ensure that holes and appropriate mounting points are created in accordance with the diagram below.

## **Spacing**

---

If the Channel Faucet is installed with other units from the Channel System, it should be installed in the center with the Soap Dispenser installed at 6" to the left and the Hand Dryer installed at 8" to the right.

# before you install

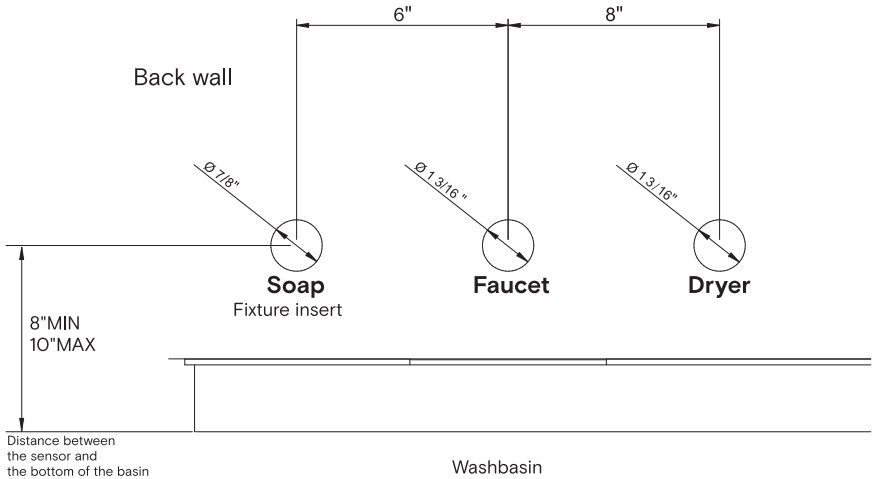
## Basins

The Splash Lab Monolith (Series C or D) basin is recommended for use with the Channel range of products. If an alternative basin is used, please confirm with The Splash Lab that there will be no reflection or splash issue.

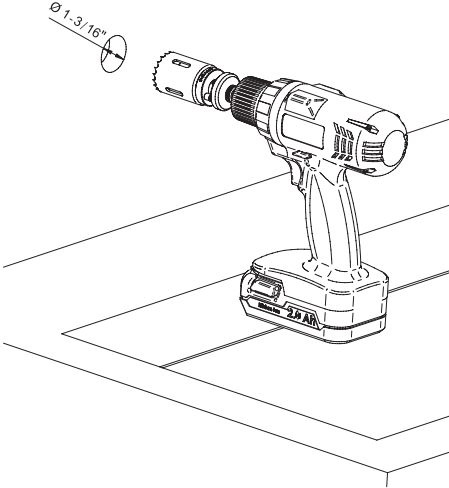
## Backplate

The Splash Lab offers an optional backplate for the fixtures that allows the fixtures to be mounted from the front and have simpler access.

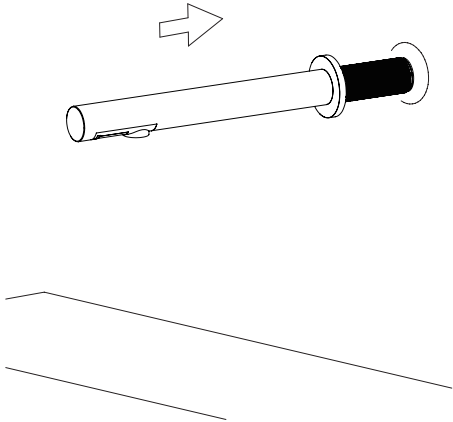
### Front view



# how to install

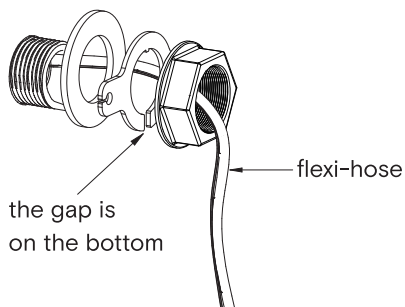


**1**  
Drill hole 1-3/16" diameter in wall 8-10" above the bottom of the basin.



**2**  
Fit faucet body into the 1-3/16" hole in wall.

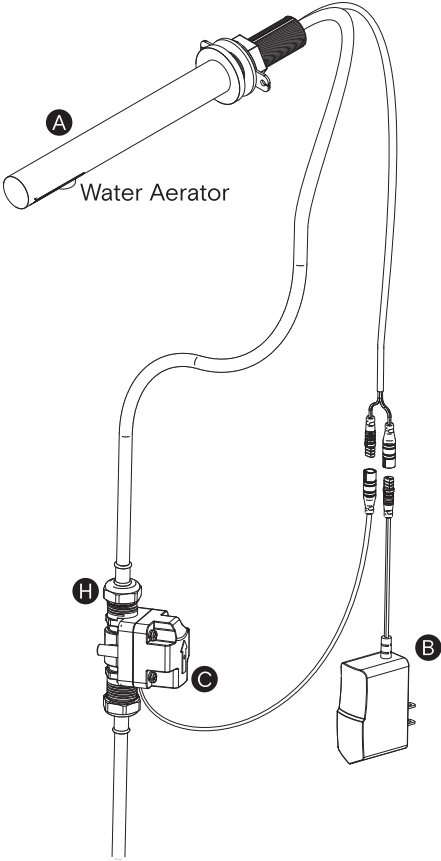
View from behind the installation wall



### 3

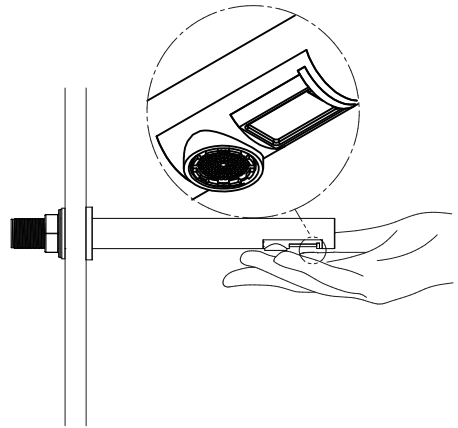
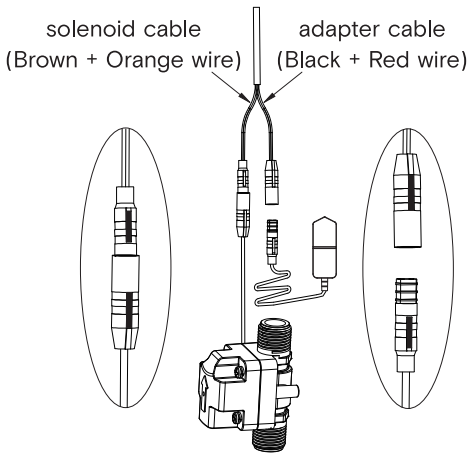
Thread the sensor wire and braided stainless steel hose through the gasket, Anti - rotation washer and fixing nut then tighten the nut against the installation wall.

# the complete system



- A Channel sensor faucet head
- B Mains power supply
- C Solenoid and cable
- H Flow restrictor

# resetting the sensor



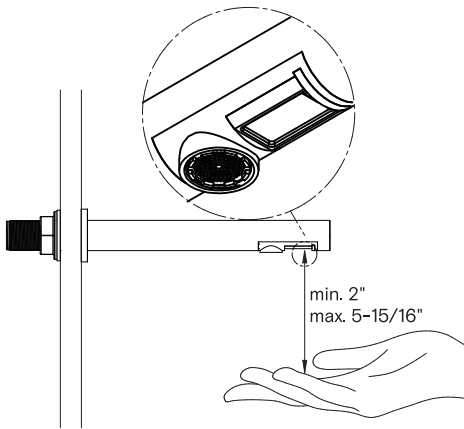
**1**

First disconnect the Channel Tap head from the Power unit. Wait a minimum of 4 seconds and reconnect the power.

**2**

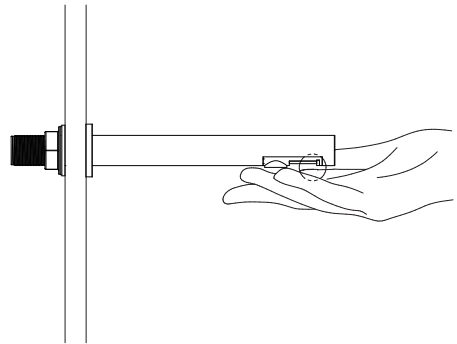
After connecting to power, immediately place your hand at about 2" below the sensor on the tap head and keep it there for 3 seconds.

# resetting the sensor



**3**

At the end of the 3 seconds, move your hand away from the sensor and down towards the wash basin to set the desired sensor range (min. 2" / max. 5-15/16") and keep your hand at the desired position for 3 seconds.



**4**

At the end of 3 seconds, move your hand back to the original 2" position from the sensor and keep at the position for 3 seconds to complete setting up the desired sensor range.

\*Remove reflective clothing during installation.

# maintenance

Some of the components in the Channel System are consumable and may need maintenance and replacing. The Channel System has been developed to accommodate for this maintenance, yet all work should be done by a trained member of an approved maintenance team. For more information, contact The Splash Lab.

# cleaning

- + All grades of stainless steel will stain or discolor if due care and attention is not taken. The surface must be regularly cleaned to ensure a long service life of the sensor faucet.
- + Use a soft cloth or sponge with a mild solution of soapy water as part of the regular washroom janitorial routine. Do not use abrasive or cream cleaners as these will damage the surface finish.
- + If the sensor faucet is subjected to a highly chlorinated environment e.g. swimming pools or marine coastal locations, a further treatment, in addition to the regular cleaning as described above, is recommended to use a household cleaning product containing silicone.
- + If further information is required, contact The Splash Lab Team for more detailed stainless steel care guidelines.

# spare parts

If a situation arises where you require replacement components outside of a maintenance contract, there may be provision to obtain spare parts. Providing the components are under warranty and the parts have become non-functioning during normal use within their assumed usable life, they may be replaced. Should a replacement mains power supply be required it is imperative that an identical type is used. Contact The Splash Lab for further information.

# product identification

A unique product identification code can be found on the product tag attached to the water hose.

# troubleshooting

## **Corrective Actions for Initial Installation Failures**

---

### **Water does not flow / Cannot hear valve open**

---

- + There is no power to valve or sensor
- + Check that cables are connected
- + Check that transformer is operating and supplying 6 volts
- + Sensor range is incorrect
- + Adjust sensor setting (see pages 11 and 12)

### **Water does not flow / Valve can be heard to open**

---

- + Water supply is blocked to valve
- + Check and clean filter on solenoid valve
- + Check water supply for any blockages or restrictions
- + Water pressure is too low
- + Check pressure of water supply

### **Water does not flow / Sensor light is flashing all the time**

---

- + Supply voltage has dropped below 5.4V
- + Check power supply and if necessary replace transformer

We are always looking to improve. If these steps did not solve your problem please contact us and we will endeavor to help.

Tel: (310) 410-5008

Email: [info.usa@thesplashlab.com](mailto:info.usa@thesplashlab.com)

# warranty

**The Channel Sensor Faucet** will be warranted by The Splash Lab to be free of manufacturing and material defects during normal use and environmental conditions as detailed below:

One year limited warranty

- + If a defect is found in normal use, The Splash Lab will, at their discretion, repair, provide a replacement part or product, or make appropriate adjustments. Damage caused by accident, misuse, or abuse is not covered by this warranty. Improper care and cleaning will void the warranty.
- + Non-operation of the product due to environmental conditions beyond our control, installation error, incorrect maintenance, water quality, fair wear and tear, incorrect or inappropriate installation, misuse and abuse is not covered by the warranty.
- + Proof of purchase (original sales receipt) must be provided to The Splash Lab with all warranty claims.
- + The above warranty is valid for goods supplied within North America.
- + For goods supplied outside of North America, The Splash Lab will honor the above stated warranty periods for the parts only.
- + THE SPLASH LAB DISCLAIM ANY LIABILITY FOR SPECIAL, INCIDENTAL OR CONSEQUENTIAL DAMAGES.





# contact



## General information

(310) 410-5008

Showroom:

8745 Washington Boulevard, Studio D, Culver City CA 90232

Warehouse + Offices:

20809 Higgins Court, Torrance CA 90501

## Technical support

[info.usa@thesplashlab.com](mailto:info.usa@thesplashlab.com)

**For further contact information visit:**

[www.thesplashlab.com/usa](http://www.thesplashlab.com/usa)

